

1101-01 HINGE TEMPLATE

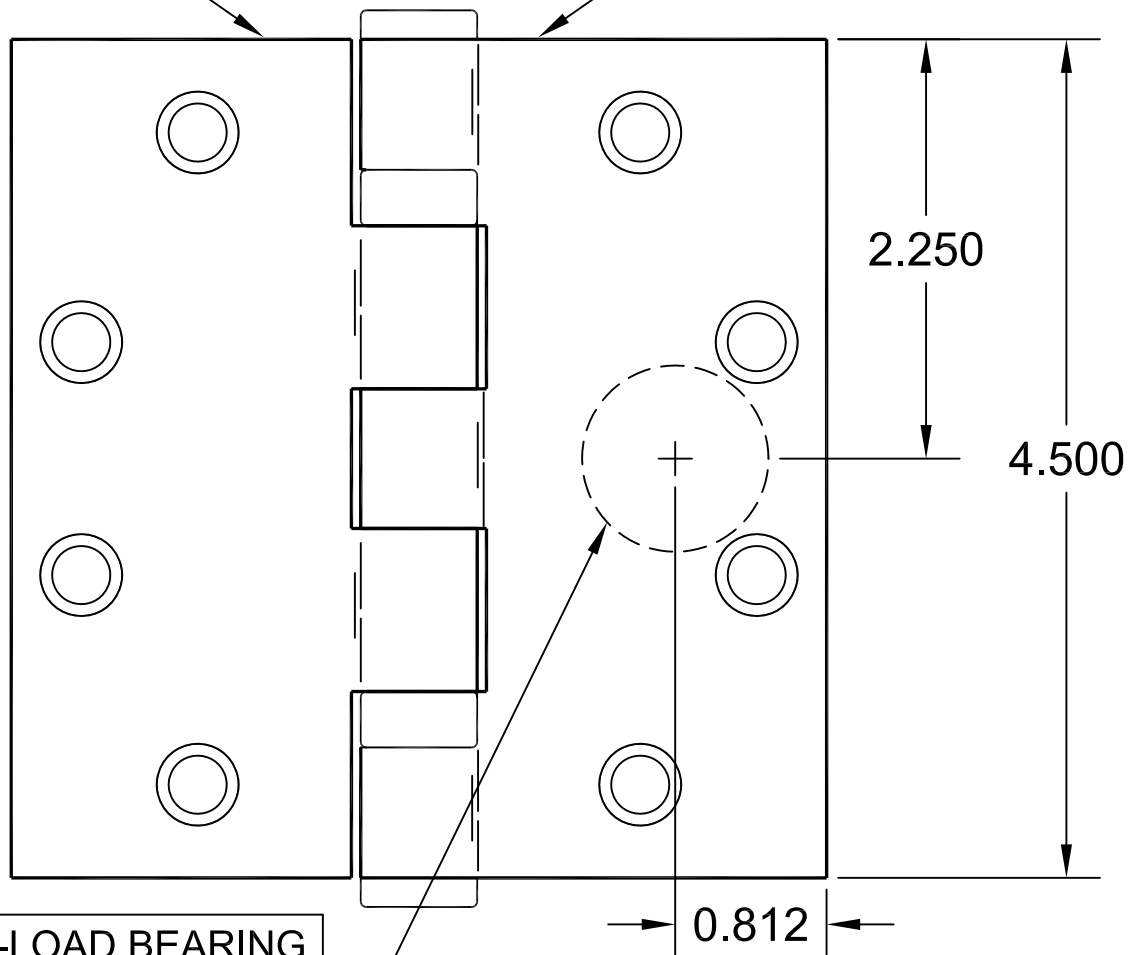
MODEL 1110 CONCEALED ELECTRIC MONITOR HINGE

FOR USE WITH ALL MANUFACTURERS

4.5" FULL MORTISE 5 KNUCKLE BALL BEARING

HINGES STANDARD AND HEAVY WEIGHT

DOOR LEAF FRAME LEAF



HINGES ARE NON-LOAD BEARING
AND MUST BE MOUNTED
IN THE CENTER POSITION ONLY.

DRILL & DEBURR 1" DIA. HOLE
IN FRAME REINFORCEMENT
FOR WIRES.

