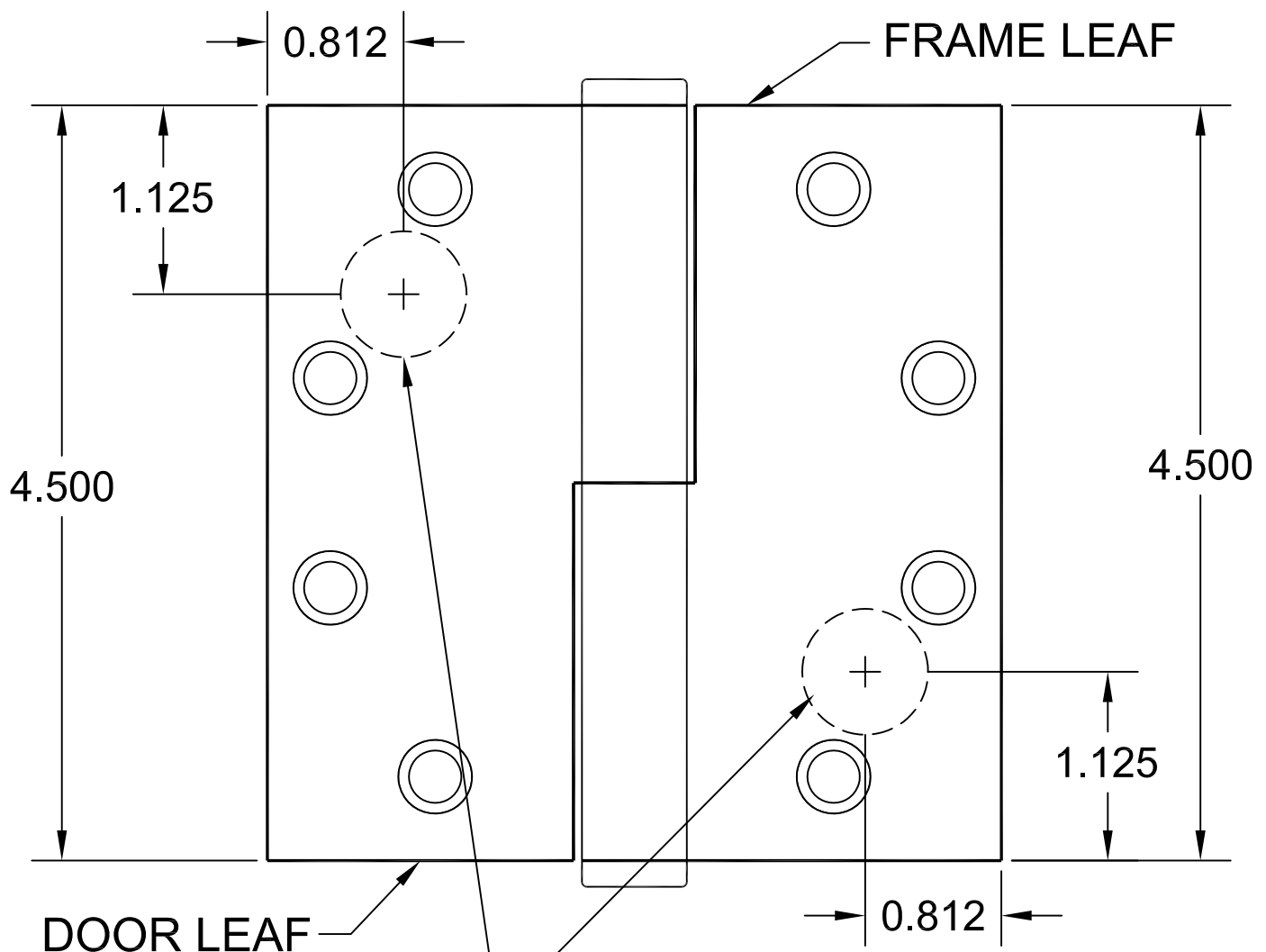


1102-16 HINGE TEMPLATE

MODEL 1102, 1104, 1106 & 1108 CONCEALED
ELECTRIC THROUGH WIRE HINGE

FOR USE WITH ALL MANUFACTURERS
4.5" FULL MORTISE 2 KNUCKLE
HINGES STANDARD AND HEAVY WEIGHT



DRILL & DEBURR 3/4" DIA. HOLE IN
FRAME REINFORCEMENT AND DOOR
FOR WIRES. WOOD FRAME AND DOOR
APPLICATION REQUIRES 2" MINIMUM
DEPTH.



HINGES ARE NON-LOAD BEARING
AND MUST BE MOUNTED
IN THE CENTER POSITION ONLY.