

1102-31 HINGE TEMPLATE

MODEL 1102X4, 1100-10 & 1100-12

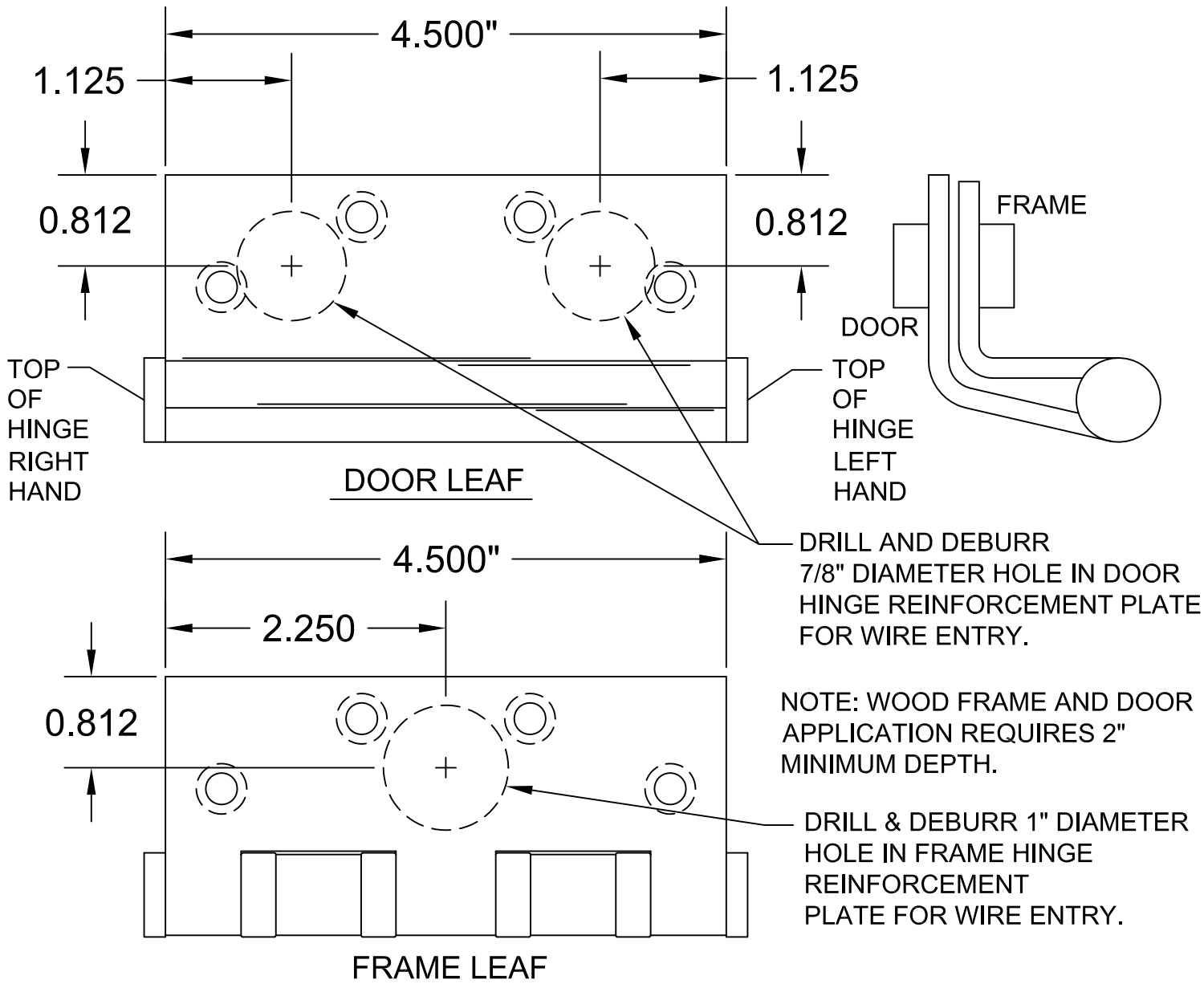
CONCEALED ELECTRIC THROUGH WIRE HINGE

FOR USE WITH ALL MANUFACTURERS

4.5" FULL MORTISE SWING CLEAR

3 & 5 KNUCKLE BALL BEARING

HINGES STANDARD AND HEAVY WEIGHT



HINGES ARE NON-LOAD BEARING AND MUST BE MOUNTED IN THE CENTER POSITION ONLY.