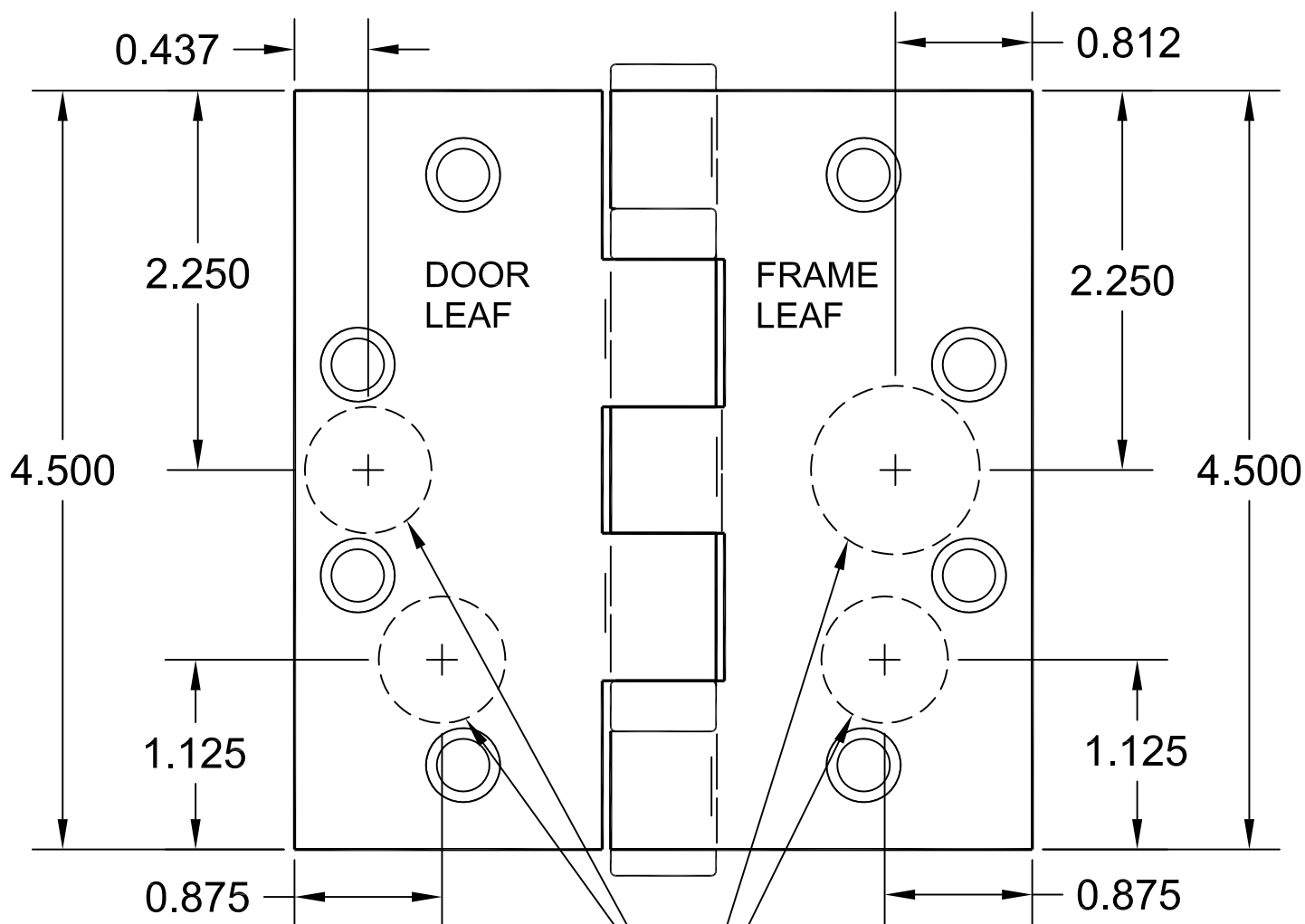


# 1102-35 HINGE TEMPLATE

MODEL 1102, 1104, 1106 & 1108 CONCEALED ELECTRIC THROUGH WIRE HINGE WITH E1S MONITORING

FOR USE WITH HAGER AND IVES 4.5" FULL MORTISE 5 KNUCKLE BALL BEARING HINGES STANDARD AND HEAVY WEIGHT



DRILL & DEBURR 3/4" DIA. HOLES IN DOOR FOR WIRES AND SWITCH. WOOD DOOR APPLICATION REQUIRES 2" MINIMUM DEPTH.

DRILL & DEBURR 1" DIA. HOLE IN FRAME REINFORCEMENT FOR WIRES AND 3/4" HOLE FOR SWITCH. WOOD FRAME APPLICATION REQUIRES 2" MINIMUM DEPTH.



HINGES ARE NON-LOAD BEARING AND MUST BE MOUNTED IN THE CENTER POSITION ONLY.