

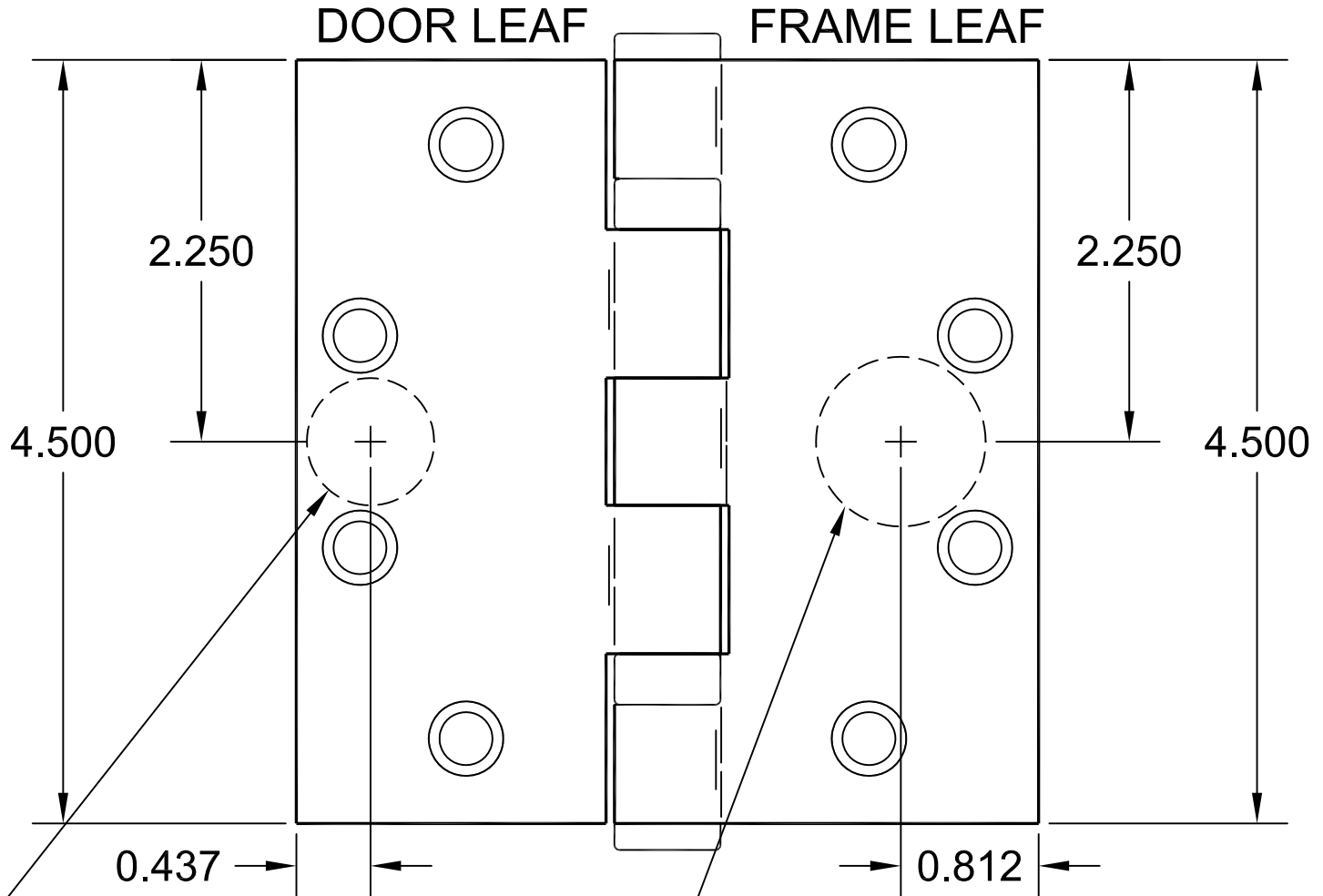
# 1103-01 HINGE TEMPLATE

MODEL 1114, 1116, 1118 & 1120 CONCEALED ELECTRIC THROUGH WIRE & MONITOR & CONCEALED AIR TRANSFER

FOR USE WITH ALL MANUFACTURERS

4.5" FULL MORTISE 5 KNUCKLE BALL BEARING

HINGES STANDARD AND HEAVY WEIGHT



DRILL & DEBURR 3/4" DIA. HOLE IN DOOR FOR WIRES. WOOD DOOR APPLICATION REQUIRES 2" MINIMUM DEPTH.

DRILL & DEBURR 1" DIA. HOLE IN FRAME REINFORCEMENT FOR WIRES. WOOD FRAME APPLICATION REQUIRES 2" MINIMUM DEPTH.



HINGES ARE NON-LOAD BEARING AND MUST BE MOUNTED IN THE CENTER POSITION ONLY.