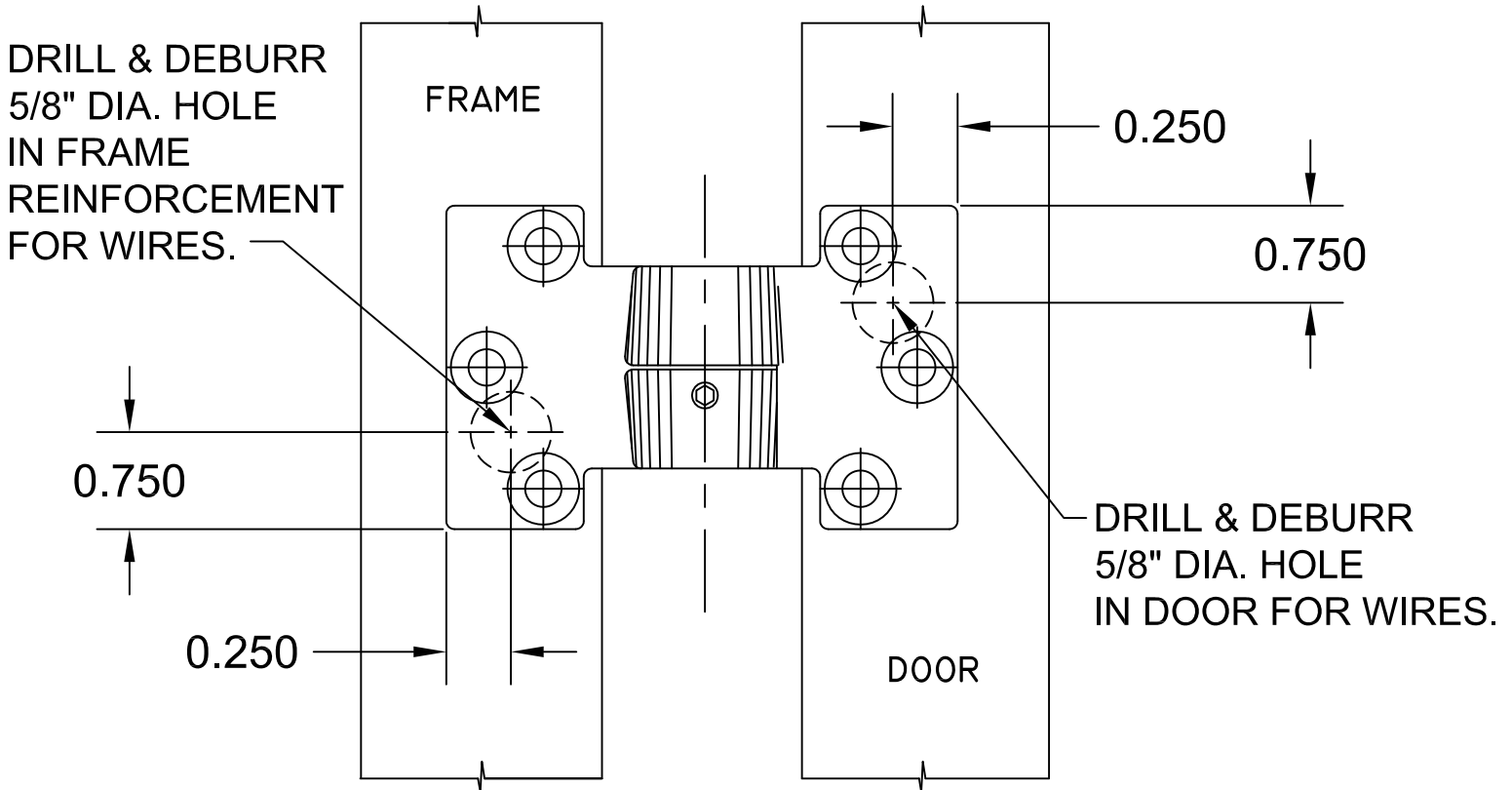
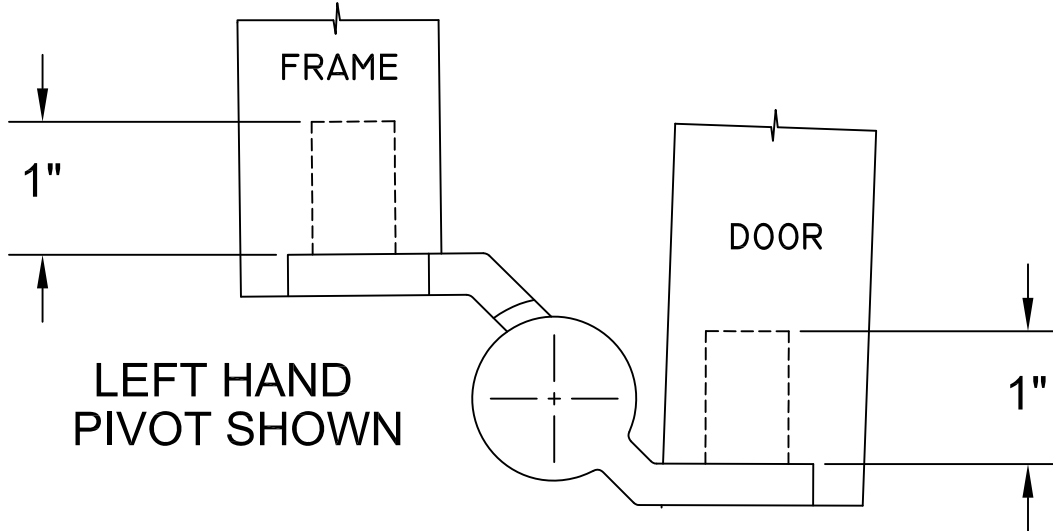


1105-05 PIVOT TEMPLATE

MODEL 1102, 1104, 1106 & 1108 CONCEALED
ELECTRIC THROUGH WIRE PIVOT

FOR USE WITH IVES 7212 INTERMEDIATE PIVOT



PIVOTS ARE NON-LOAD BEARING
AND MUST BE MOUNTED
IN THE CENTER POSITION ONLY.