

## II – 1100-4

### INSTALLATION INSTRUCTIONS ACSI MODEL 1102 HINGE

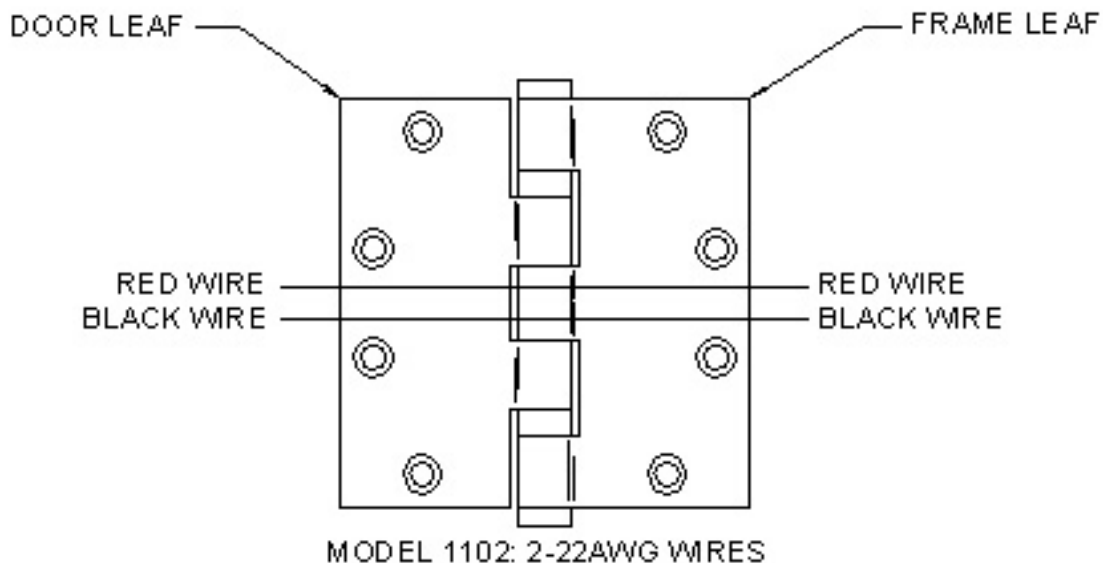
#### APPLICATION PROCEDURE

- FOR USE WITH 2 -WIRE CONCEALED ELECTRIC THROUGH-WIRE HINGES.
- STEEL HINGES FOR INTERIOR USE ONLY.
- BRASS AND STAINLESS STEEL HINGES FOR INTERIOR AND EXTERIOR USE.
- INSTALL 302-03-03 7" MORTAR GUARD ON MORTAR FILLED FRAMES. FAILURE TO INSTALL MORTAR GUARD WILL VOID MANUFACTURER'S WARRANTY.

#### ELECTRICAL RATINGS

- EACH WIRE RATED 50 VOLTS AC/DC AT 3.5 AMPS (MAX.) CONTINUOUS, OR 16 AMPS (MAX.) PULSE.
- MAXIMUM PULSE WIDTH: 400 msec.
- MINIMUM "OFF" TIME BETWEEN PULSES: 10 SECONDS

**WIRE GAUGE SIZE: 22 AWG (TYPICAL).**



## DOOR AND FRAME PREPARATION

- DOOR AND FRAME MUST BE PREPARED IN ACCORDANCE WITH THE APPROPRIATE "1102" HINGE TEMPLATE.
- THROUGH WIRE TYPE HINGES ARE NON-LOAD BEARING AND MUST BE MOUNTED IN THE CENTER HINGE POSITION ONLY.
- DO NOT ATTEMPT TO DISASSEMBLE HINGE. HINGE MUST BE INSTALLED ASSEMBLED. IF HINGE IS DISASSEMBLED, MANUFACTURER'S WARRANTY WILL BE VOID.
- WIRE ACCESS HOLES MUST BE FREE OF BURRS AND SHARP CORNERS. CHECK TO MAKE SURE THAT HINGE FITS FREELY IN PREP. TO AVOID DAMAGING AND OR SHORTENED LIFE, DO NOT FORCE HINGE INTO PREP HOLES.
- HANG THE DOOR ON THE TOP AND BOTTOM HINGES FIRST (NOTE: THESE ARE NON-ELECTRICAL HINGES).

## INSTALLATION

- ATTACH WIRES IN ACCORDANCE WITH PROJECT WIRING DIAGRAMS.
- OPEN DOOR TO 90° OR MORE FOR ACCESS TO JAMB PREPS.
- EXTRACT INTERIOR WIRING THROUGH THE PREP HOLES FROM THE DOOR AND JAMB.
- TERMINATE WIRE CONNECTIONS WITH APPROPRIATE CRIMP SPLICES OR WIRE NUTS.  
NOTE: IT IS HELPFUL TO STAGGER TERMINATIONS. THIS ALLOWS FOR EASY INSERTION OF WIRES THROUGH PREP HOLES.
- **DO NOT HANG HINGE BY WIRES DURING INSTALLATION OR SERIOUS DAMAGE COULD OCCUR.**
- AFTER ALL TERMINATIONS ARE COMPLETED, CAREFULLY SLIDE WIRES THROUGH PREP HOLE MAKING SURE THAT WIRES ARE PLACED SO THEY WILL NOT BE CUT OR PINCHED AS HINGE IS INSTALLED.

