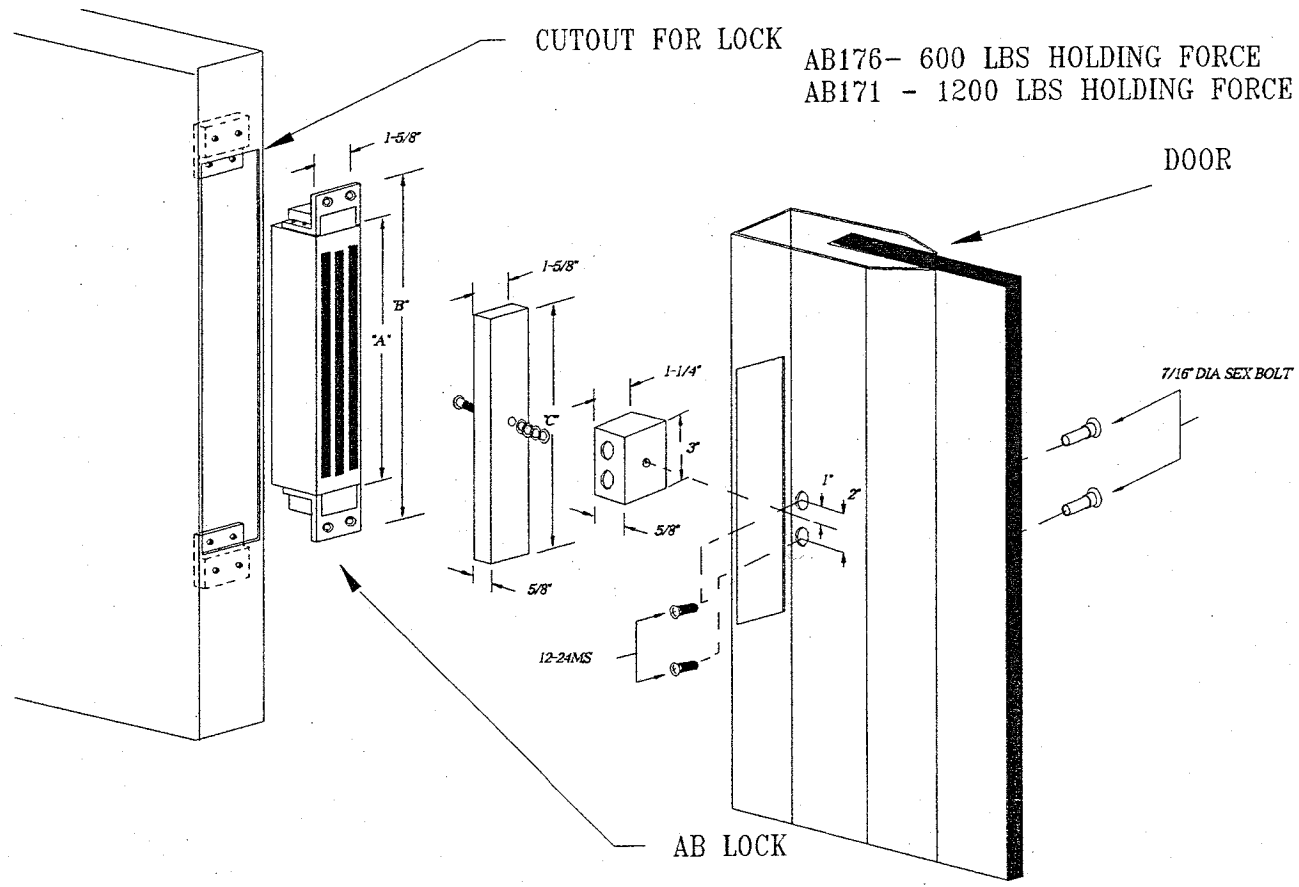


**AB170 SERIES
MORTISED DOOR/FRAME**



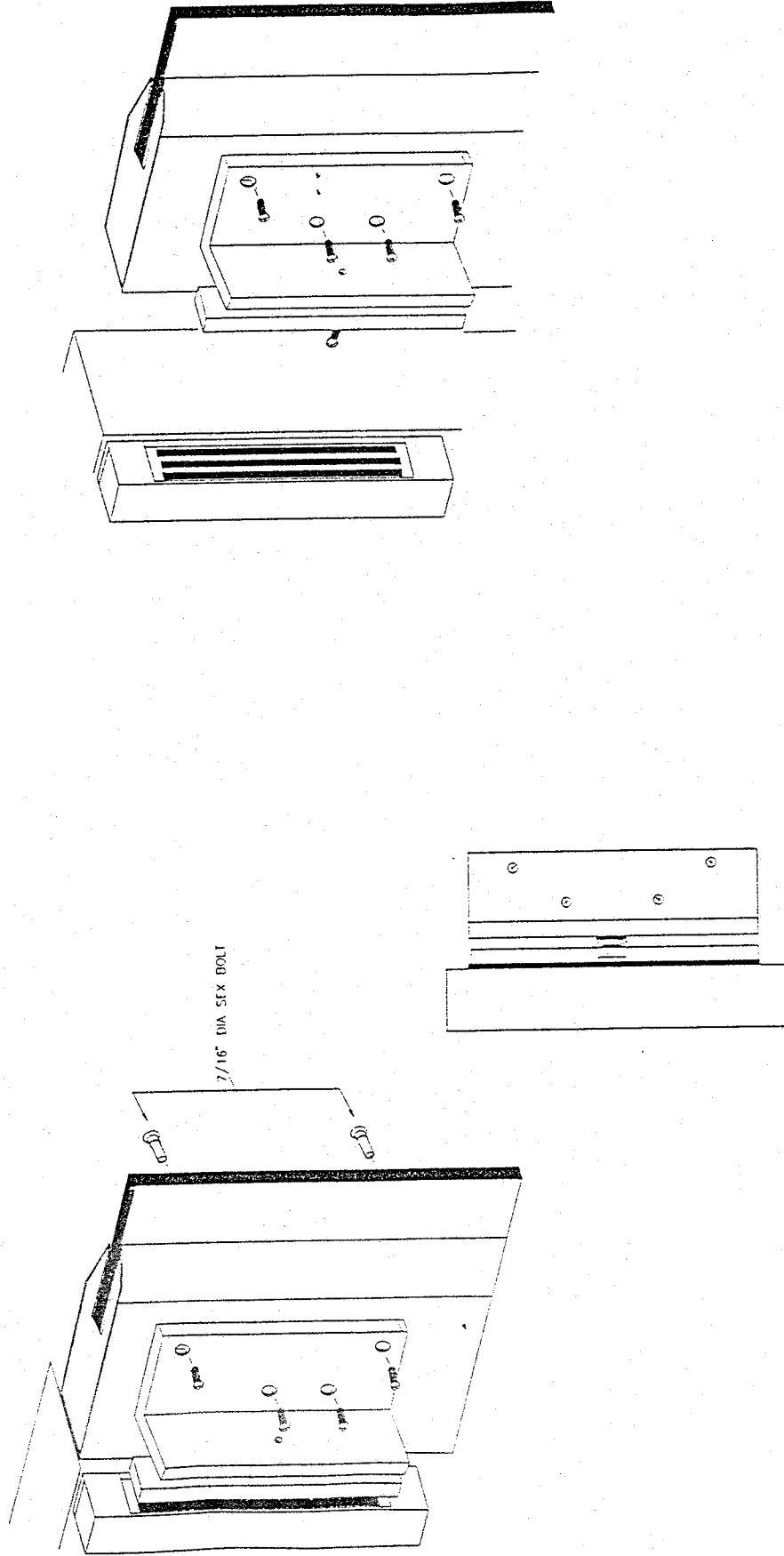
LOCK MODEL	A"	B"	C"
AB171	10-1/2"	12-1/2"	10-1/2"
AB176	6-7/8"	9"	6-1/2"

ELECTRICAL SPECIFICATIONS
0.25 AMP • 24VDC
0.50 AMP • 12VDC

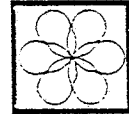


ASTERIX SECURITY HARDWARE INT'L
7045 TRANMERE DR. UNIT 10
MISSISSAUGA ONT. L5S 1M2
TEL:(905)672 1245
FAX:(905)672 1247

AB176 - 600 LBS HOLDING FORCE
 AB171 - 1200 LBS HOLDING FORCE



LOCK MODEL	"A"	"B"	"C"
AB171	10-1/2"	12-1/2"	10-1/2"
AB176	6-7/8"	9"	6-1/2"



ASTERIX SECURITY HARDWARE INT'L INC.

7045 TRANNERE DR. UNIT 10
 MISSISSAUGA, ONTARIO, CANADA L5S-1R2
 TEL: (416)-672-1245 FAX: (416)-672-1247

DWG NAME: AB171-MORISE

DATE: SCALE:

DWN BY:

DWG NO.: AB176/1

CHD BY: