

SERIES 1330 EMERGENCY RELEASES

COVERS THE FOLLOWING MODELS:

1330-3 EMERGENCY RELEASE COLOR BLUE, PROVIDES MANUAL EMERGENCY REPORTING.

MOUNTS IN A STANDARD SINGLE GANG BOX 2-1/8" DEEP.

DESIGNED FOR INDOOR AND OUTDOOR USE.

UL LISTED 8P05 FIRE ALARM EQUIPMENT.

STATE OF CALIFORNIA LISTING 7150-1665:0103 FIRE ALARM PULL BOXES.



ELECTRICAL SPECIFICATIONS

- 1A @ 30VDC, 0.1A @ 125VAC
- MAXIMUM WIRE SIZE 18 AWG

EMERGENCY RELEASE FUNCTION

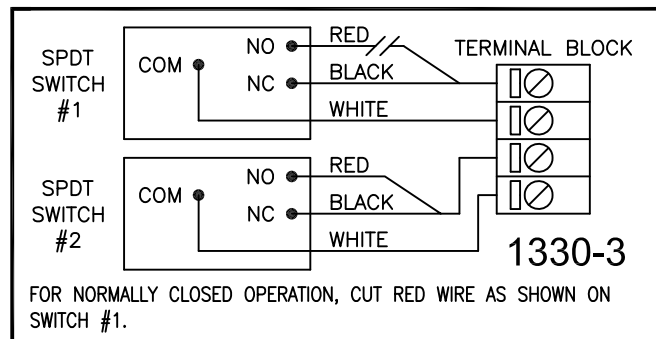
PULLING ON THE HANDLE WILL RELEASE THE INTERNAL SWITCHES TO CONTROL ANY PERIPHERAL DEVICE.
IF OPTIONAL BREAK GLASS IS USED IT WILL BREAK WHEN HANDLE IS PULLED.

RESETTING EMERGENCY RELEASE

RESETTING IS ACCOMPLISHED BY USING PROVIDED KEY FOR LOCK.

WIRING DIAGRAM

NORMALLY CLOSED OPERATION



NORMALLY OPEN OPERATION

