

SERIES 1310 MORTISE KEY SWITCHES WITH TIME DELAY

COVERS THE FOLLOWING MODELS:

- 1310-3 KEYSWITCH WITH TIME DELAY MOUNTS IN A DOUBLE GANG WALL MOUNT ELECTRICAL BOX. SIZE 4" SQ. X 2-1/8" DEEP. (RACO #680 OR EQUIVALENT)
- 1310-3-1 KEYSWITCH WITH TIME DELAY AND STATUS INDICATOR (RED). MOUNTS IN A DOUBLE GANG WALL MOUNT ELECTRICAL BOX. SIZE 4" SQ. X 2-1/8" DEEP. (RACO #680 OR EQUIVALENT)

ELECTRICAL SPECIFICATIONS

- 24VAC/VDC +/- 10% INPUT
- CONTACTS RATED AT 1A @ 30VDC
- CURRENT DRAW @ 24VDC: 5mA (STANDBY); 25mA (1310-3 ACTIVATED); 40mA (1310-3-1 ACTIVATED)

RED LED STATUS INDICATOR

- RED LED LEADS ARE IDENTIFIED WITH A RED CABLE TIE.
- RED WIRE LEAD IS (+) POSITIVE AND BLACK WIRE LEAD IS (-) NEGATIVE.

ADJUSTING THE TIME DELAY CIRCUIT

- TO INCREASE DELAY TIME, TURN POTENTIOMETER COUNTERCLOCKWISE.
- TO DECREASE DELAY TIME, TURN POTENTIOMETER CLOCKWISE.
- DELAY RANGE: 0 - 40 SECONDS

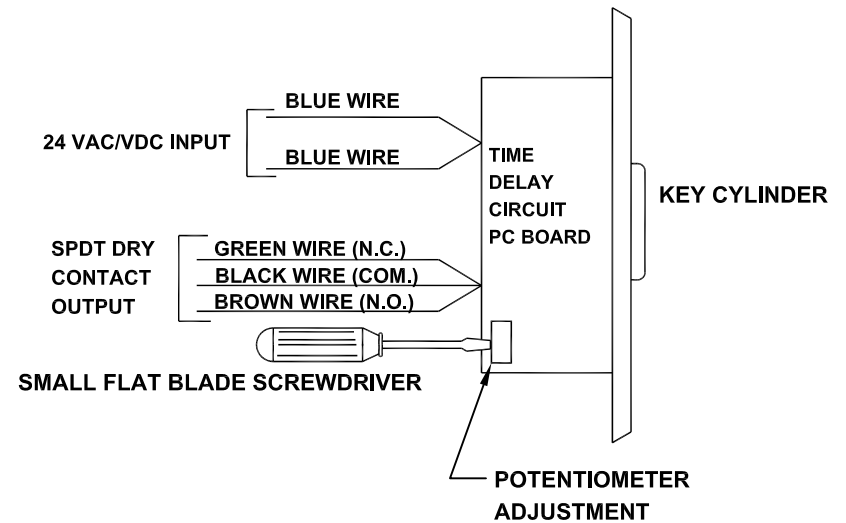
MOUNTING INSTRUCTIONS

IT MAY BE NECESSARY TO REMOVE THE KNOCKOUT, FACING THE TOGGLE SWITCH WIRE CONNECTIONS, TO ALLOW FOR MORE DEPTH CLEARANCE.

DO NOT USE GANGABLE SWITCH BOXES WHERE THE FACE PLATE MOUNTING HOLE TABS FACE OUTWARD FROM THE BOX. THERE WILL NOT BE ENOUGH HEIGHT CLEARANCE FOR THE P.C. BOARD.



MODEL 1310-3
SHOWN



NOTE: RED LED INDICATOR USED ONLY ON MODEL 1310-3-1.

