

INSTALLATION INSTRUCTIONS

RM RELAY MODULE

The RM Relay Module can be used with all ACSI Series1400 power supplies to provide dry output contacts for special applications that require interfacing with other electronic equipment requiring a dry contact input signal. The module can be wired across the locking device output terminals of the Model 1400-6100, 1420, and 1440 power supply control board, and the 1410 Series daughter board, with or without the locking device connected. When using the RM Relay Module with the 1406/1426 Series ELR power supplies, it must be wired as shown in Figure 2 for adding electromagnets with fire alarm interface.

Installing the Module

The RM Relay Module can be installed horizontally or vertically inside the 1400 Series power supply or inside a smaller junction box in another location. If the relay is switching power to a locking device, it is recommended to locate the module no further than 10 ft. from the power supply to keep line resistance of the conductors running between the power supply and locking device to a minimum.

There are two methods of mounting the RM Relay Module. **Method 1:** It can be mounted to a clean, hard surface using the supplied double adhesive foam tape. Peel off the backing of one side and adhere it to the top flanged side of the relay's clear plastic case (Figure 1). Peel off the backing from the other side and press the relay against the surface, holding it in place under pressure for 30 seconds. **Method 2:** The flanged side of the relay case contains two mounting holes for fastening the relay to the surface using #6 screws (not supplied). This method requires drilling and tapping if mounting to a metal surface.

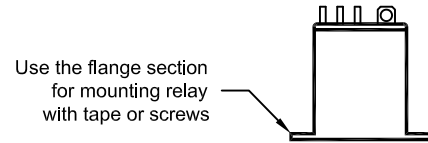


Fig. 1

RM Wire Designation

RM RELAY MODULE	POLE 1	N.C.	ORANGE
		COM.	GRAY
	POLE 2	N.O.	WHITE
		N.C.	YELLOW
	COIL +	COM.	BROWN
		N.O.	BLUE
	COIL -		RED
			BLACK

Specifications:

Contact Configuration:	DPDT
Rated Coil Voltage:	24VDC
Pick-up Voltage:	19.2VDC
Dropout Voltage:	2.4VDC
Maximum Voltage:	26.4VDC
Coil Current @ Rated Voltage:	37mA
UL Approved Contact Rating:	15A @ 28VDC (Resistive), 40°C

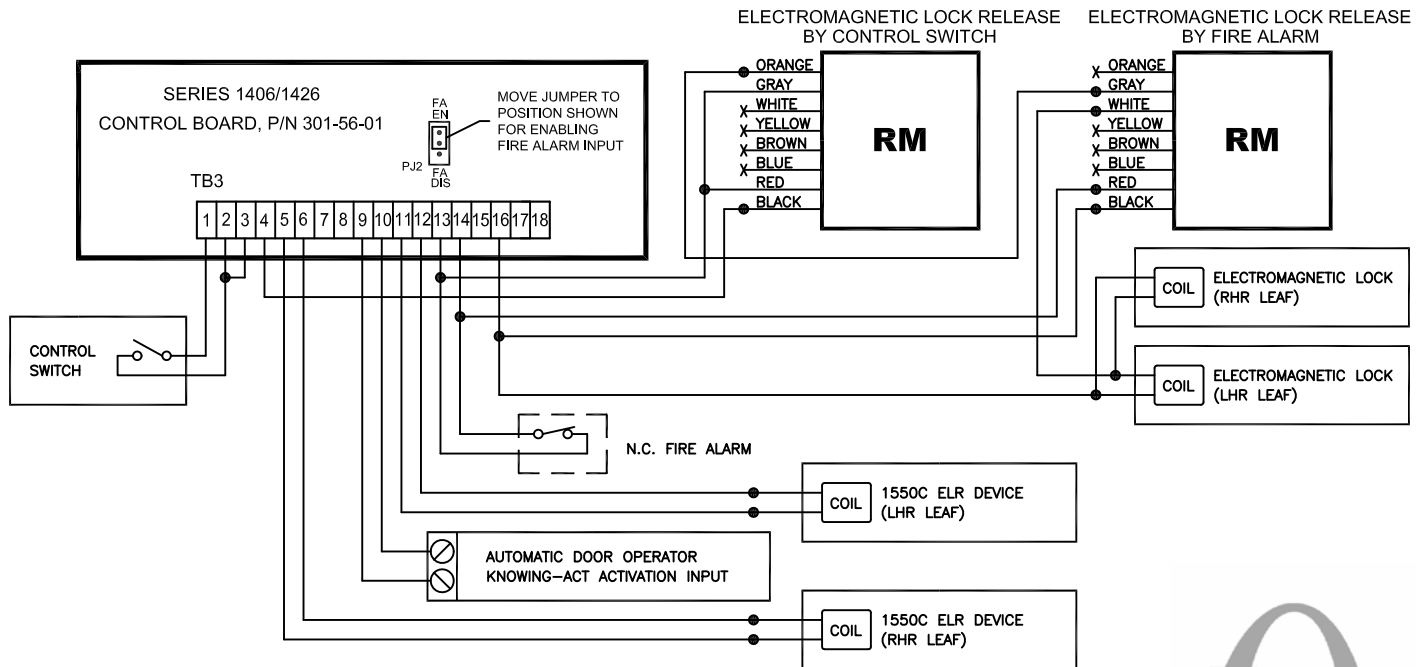


Fig. 2

