

ASTERISK SECURITY HARDWARE INTERNATIONAL INC
PS SERIES POWER SUPPLY
PDCU 2020 1-4 ZONES POWER DISTRIBUTION
CONTROL UNIT

The **Asterisk** PS series and PDCU 2020 series is a UL and ULC listed power supply , time delay control unit design to power up to six magnetic locking devices. Its built-in ground fault release, fire alarm release and manual/automatic selective reset capability meets the intention of national and provincial building codes. Combine with the Asterisk series of magnetic locking devices, electric strikes, switched exit devices and a host of switching and annunciations options, the PDCU features unsurpassed flexibility to accommodate any access control specifications. The PS/PDCU provides 12 or 24vdc power to any electro-magnetic locking devices. .



Features:-

- * Design to power up to 6 (24vdc) magnets or 3 (12vdc) magnets.
- * The power supply can be expanded up to 4 zones. Each zone can perform independently. All doors in the same zone perform identically.
- * Built-in fire alarm contact terminals. All locks release immediately upon fire alarm signal and loss of power.
- * Manual/automatic reset system. Selective mode to reset the system after fire alarm system reset and restoration of power.
- * Battery backup capability
- * Auxiliary 12 and 24 vac output.
- * Auxiliary Form "C" contact (follow) status of fire alarm contact
- * AC and DC fused.
- * Field expandable, 1 to 4 zones.
- * Multiple PS/PDCU can be daisy-chained for a single fire alarm release and rest feature.

SPECIFICATIONS:

Power supply shall be Asterisk series PS or PDCU , UL and ULC listed to meet the intend of the building code. The power supply shall. Be 120vac in/ ut / 12 or 24vdc output. With built-in fire alarm release contact and , manual or automatic reset contact.

ULC listed—Door releasing and automatic releasing devices (electrically activated)
CAN/ulc-S533-M87 STANDARD
UL listed—Releasing devices (SZNT)general purpose power supply

PLUG-IN DELAY MODULES:

- DCM1—Instand release , delay relock (adjustable)
- DCM-2—Delay release (adjustable) delay relock (adjustable)
- DCM-3—NFPA Delay release (adjustable set to 15 sec) manual reset.
- DCM-3N NFPA 3 seconds nuisance Delay release, amunal relock

Zone card features

- * Independent zone lock/unlock switch terminal
- * Auxiliary Form "C" contact
- * Door release output
- * Delay release output
- * Zone trigger switch terminal
- * Zone reset switch..

Specifications:

Height—14"
 Width—12 "
 Depth—4"

Input—120vac

Output :
 12vdc/2amp

Or
 24vdc/2amp

Contact rating
 3amp@ 120vac/30v



ASTERISK SECURITY HARDWARE INTERNATIONAL INC.
 7045 TRANMERE DR. UNIT 10
 MISSISSAUGA, ONTARIO, CANADA L5S 1M2
 TEL:(905)672 1245 FAX: (905) 672 1247

MODEL

- PS12-2
- PS24-2
- PDCU 2021
- PDCU 2022
- PDCU2023
- PDCU 2024

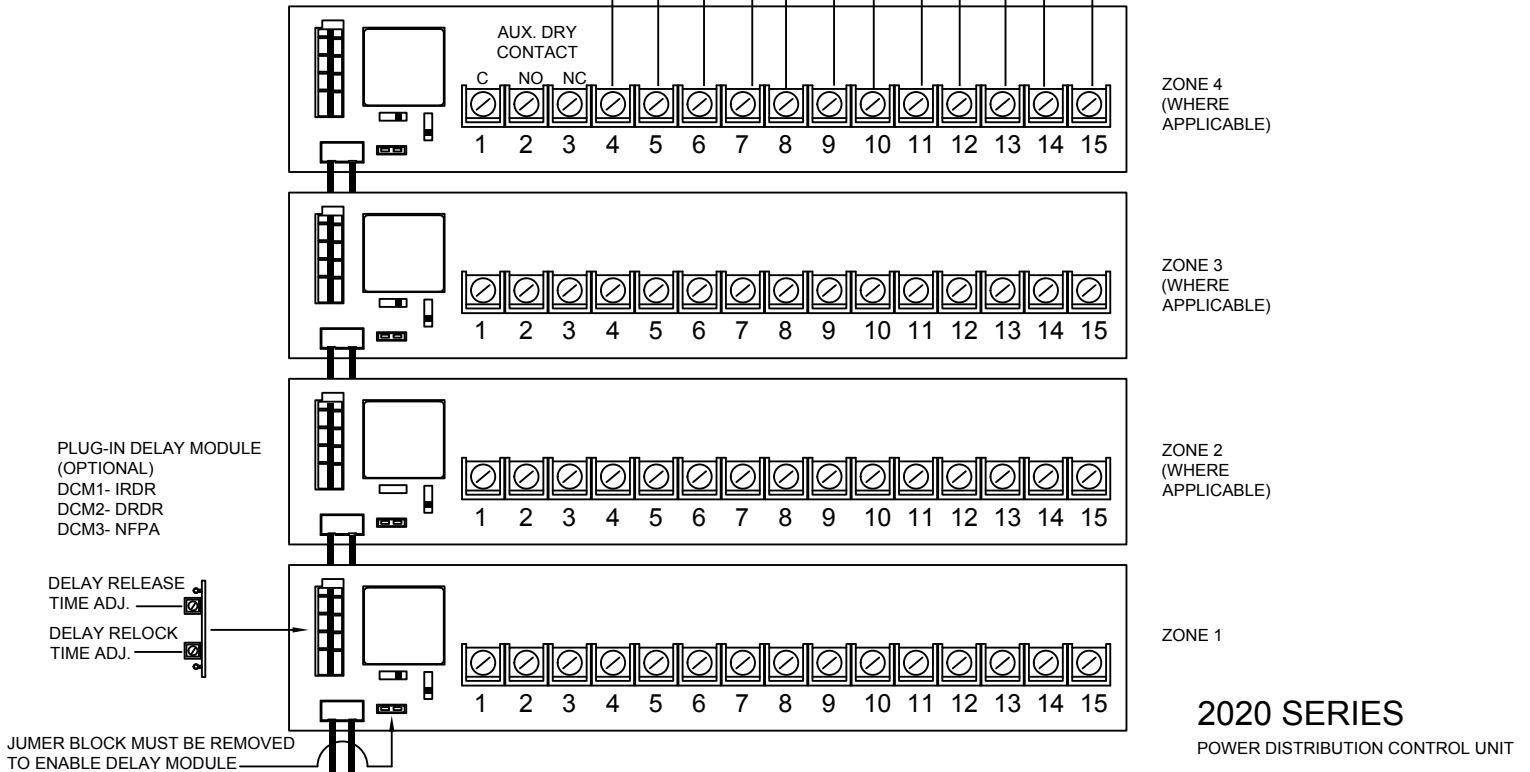
- INPUT: 120VAC/60Hz/0.75A
OUTPUT: 24VDC 2.0 AMP
- INPUT: 120VAC/60Hz/0.75A
OUTPUT: 12VDC 2.0 AMP

- (1) - LOAD 2 AMP. MAXIMUM
- (2) - LOCK/UNLOCK SWITCH
- (3) - DOOR RELEASE INDICATION
OUTPUT 0.2A MAX
- (4) - DELAY ACTIVE INDICATION
OUTPUT 0.2A MAX
- (5) - DELAY CYCLE RESET SWITCH
(N.O MOMENTARY.)
- (6) DELAY CYCLE START SWITCH
(N.O MOMENTARY)

NOTE:

CURRENT CAPABILITIES SPECIFIED ABOVE ARE MAXIMUM ALLOWABLE ,REGARDLESS THE NUMBER OF ZONE(S) IN THE SYSTEM.

CURRENT DRAW CAN BE DISTRIBUTED UNEVENLY BETWEEN ZONES AS LONG AS THE COMBINED LOADING DOES NOT EXCEED THE MAXIMUM ALLOWABLE FIGURE.

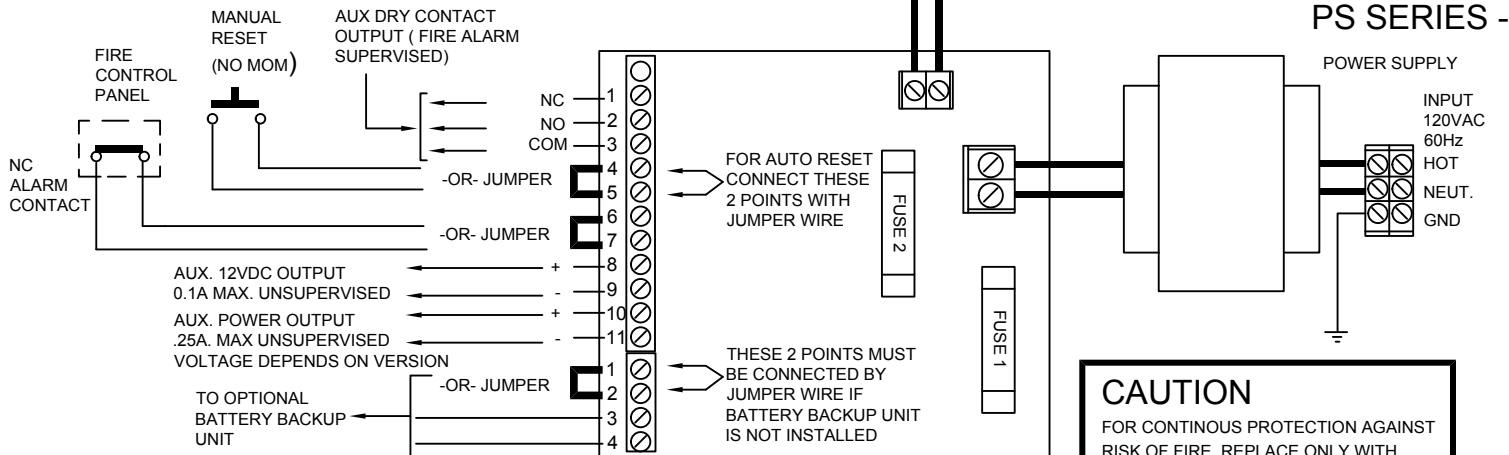


PLUG-IN DELAY MODULE
(OPTIONAL)
DCM1- IRDR
DCM2- DRDR
DCM3- NFPA

DELAY RELEASE
TIME ADJ. []
DELAY RELOCK
TIME ADJ. []

JUMPER BLOCK MUST BE REMOVED
TO ENABLE DELAY MODULE

**2020 SERIES
POWER DISTRIBUTION CONTROL UNIT**



ASTERISK SECURITY HARDWARE INT'NL INC.
7045 TRANMERE DR. UNIT 10
MISSISSAUGA, ONTARIO, CANADA, L5S 1M2
TEL: (905)672 1245 FAX: (905) 672 1247

DATE OF MANUFACTURE [] [] [] [] [] []