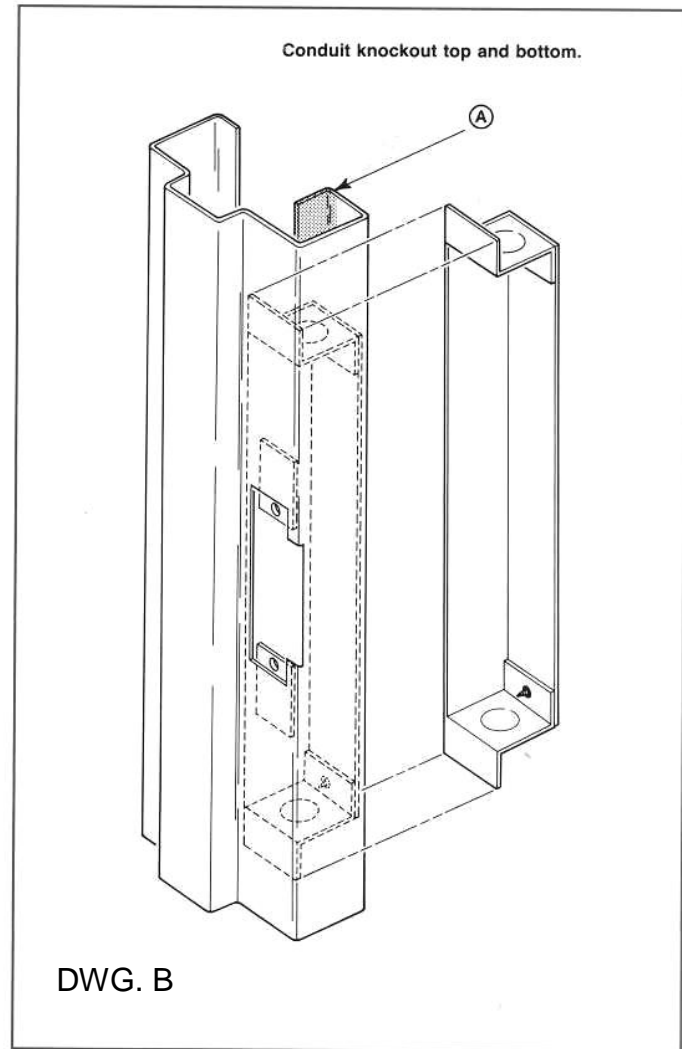
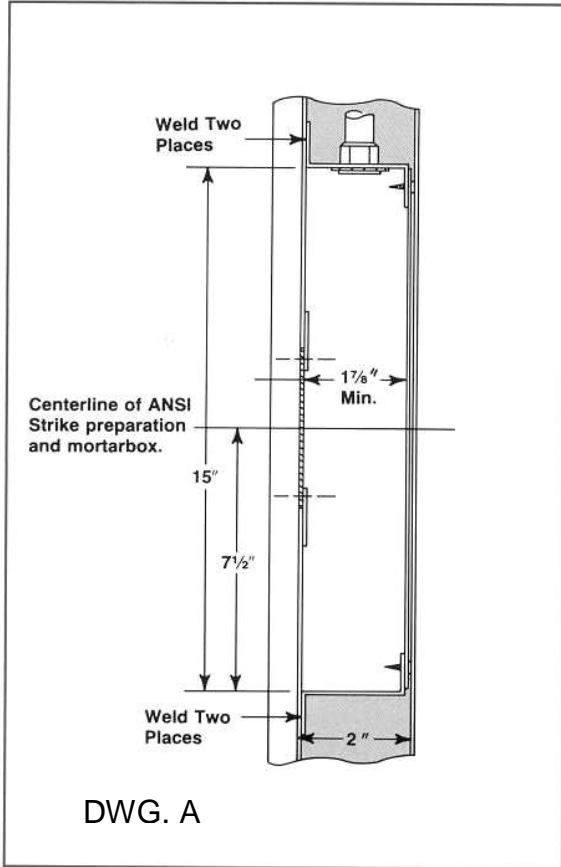


302-03-02 MORTAR GUARD INSTALLATION INSTRUCTIONS



- 1.) READ INSTRUCTIONS FULLY BEFORE INSTALLING MORTAR GUARD.
- 2.) CENTER MORTAR GUARD ON THE ANSI STRIKE PREPARATION IN A 2" FACE HOLLOW METAL FRAME AS SHOWN IN FIGURES DWG. A AND DWG. B.
- 3.) IF FRAME HAS A SECOND RETURN, REMOVE SUFFICIENT MATERIAL FROM THE SECOND RETURN TO CLEAR THE MORTAR GUARD. REFER TO DWG. B NOTE "A".
- 3A.) ON FIRE LABELED FRAMES, USE FRAMES WITHOUT A SECOND RETURN. DO NOT REMOVE MATERIAL TO ACCEPT MORTAR GUARD FROM THE SECOND RETURN ON FIRE LABELED FRAMES. IF A SECOND RETURN IS USED, A MINIMUM 2" DEPTH IS REQUIRED.
- 4.) A MINIMUM DEPTH OF 1 7/8" MEASURED FROM THE OUTER FACE OF THE FRAME, THROUGH THE PREP, TO THE BACK OF THE MORTAR GUARD MUST BE MAINTAINED. REFER TO DWG. A. THIS DIMENSION IS CRITICAL FOR PROPER INSTALLATION OF THE GEMINI LOCKING SYSTEM.
- 5.) WELD EACH TAB IN TWO PLACES TO SECURE THE BOX TO THE FRAME.
- 6.) DO NOT DISASSEMBLE THE MORTAR GUARD DURING INSTALLATION. IT MUST BE INSTALLED AS A UNIT.

