



# ELECTRIC CYLINDRICAL LOCK INSTRUCTIONS

## AE - AUTHORIZED EGRESS (REQUEST-TO-EXIT)

**Description:**

Monitors the use of the INSIDE trim.

**Electrical Specifications:**

SPDT Monitor Switch

Switch "A" Contacts Rated: 1A @ 250VAC

Switch "B" Contacts Rated: 3A @ 125VAC, 2A @ 30VDC

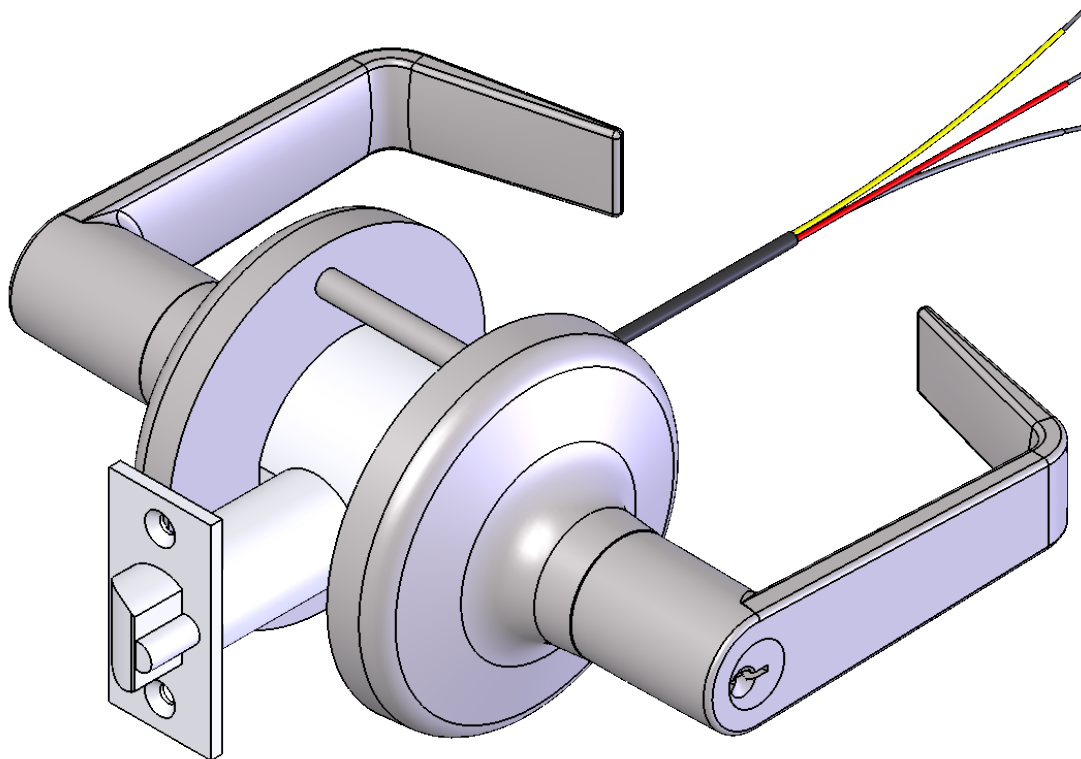
Switch "C" Contacts Rated: 0.5A @ 30VDC

**Wire Color Codes:**

YELLOW - Common

RED - Normally Open

GRAY - Normally Closed



Manufacturer's Series	Switch	Manufacturer's Series	Switch
Arrow QL	B	PDQ GT	C
Corbin 3300	B	Sargent 10 Line	A
Design Hardware Z	B	Schlage ND	A
Falcon T	C	Tell LC2400	B
General Lock L100	B	Yale 5400LN	B
Hager 3400	B		