

EXIT DEVICE INSTALLATION INSTRUCTIONS

K-127 SWITCH KIT

FOR USE WITH 1550K-VD ELR KIT ON
VON DUPRIN MODEL 33 AND 99 EXIT DEVICES
SWITCH MONITORS LATCH MECHANISM OF EXIT DEVICE

ELECTRICAL SPECIFICATIONS

- SPDT MONITOR SWITCH
- CONTACT RATING: 5A @ 125VAC
4A @ 30VDC

COLOR CODE FOR WIRES

- BLACK WIRE: COMMON
- WHITE WIRE: NORMALLY OPEN
- RED WIRE: NORMALLY CLOSED

INSTALLATION INSTRUCTIONS

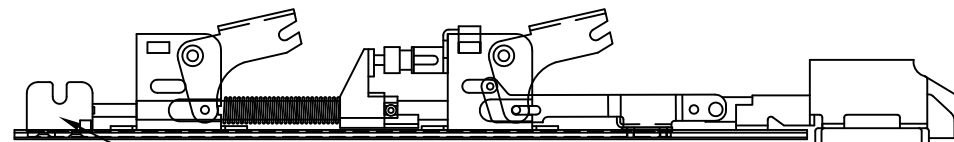
STEP 1: REMOVE PUSHBAR AND BASE PLATE ASSEMBLY FROM ALUMINUM CHANNEL.

STEP 2: SEPARATE PUSHBAR FROM BASE PLATE ASSEMBLY.

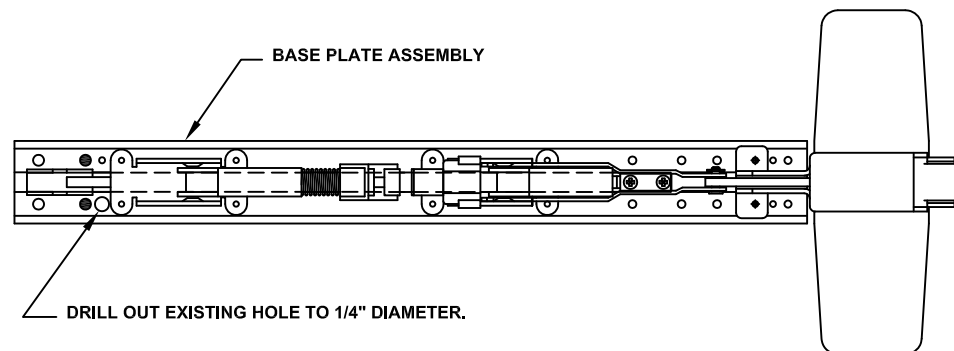
STEP 3: AFTER BASE PLATE ASSEMBLY IS SEPARATED FROM THE DEVICE,
INSTALL THE ELR KIT DEVICE LINK AND FOLLOW INSTALLATION INSTRUCTIONS
II-E1500-11 1550K-VD ELR KIT STEPS 1 THROUGH 10. AFTER DEVICE LINK HAS
BEEN PROPERLY INSTALLED PROCEED WITH STEP 4 OF K-127 SWITCH KIT.

STEP 4: DRILL OUT EXISTING HOLE IN BASE PLATE ASSEMBLY TO 1/4" DIAMETER.
THIS HOLE WILL BE USED AS A WIRE ENTRY HOLE FOR THE SWITCH WIRES.

STEP 5: REMOVE DEVICE LINK SCREW FROM FRONT POSITION AND DISCARD.

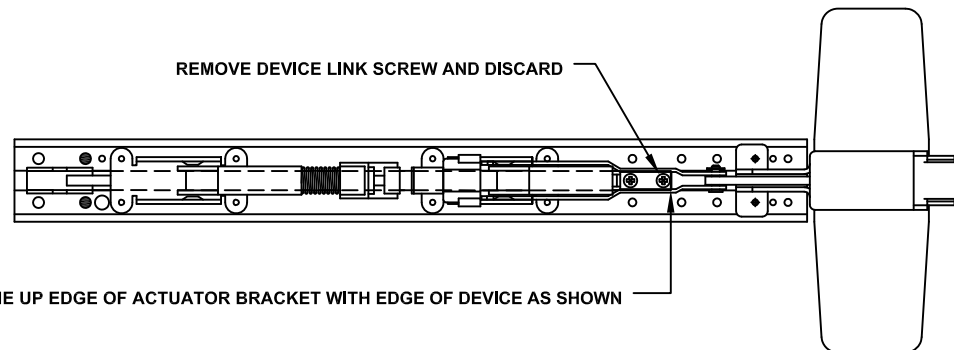


ASSEMBLE THE DEVICE LINK FOR THE 1550K-VD ELR KIT.



BASE PLATE ASSEMBLY

DRILL OUT EXISTING HOLE TO 1/4" DIAMETER.



REMOVE DEVICE LINK SCREW AND DISCARD

LINE UP EDGE OF ACTUATOR BRACKET WITH EDGE OF DEVICE AS SHOWN



2720 CLARK AVE., ST. LOUIS, MO 63103 (800) 753-5558

REV. 11/2017

II - E1500-17

STEP 6: MOUNT SWITCH ACTUATOR BRACKET TO BASEPLATE ASSEMBLY AS SHOWN. FOLLOW THE ILLUSTRATION FOR PROPER PLACEMENT OF ACTUATOR BRACKET HARDWARE.

STEP 7: SECURE SWITCH ASSEMBLY TO BASEPLATE. USE EXISTING HOLES IN DEVICE AS SHOWN. USE THE TWO EACH #6-32 X .25 RHMS TO MOUNT SWITCH BRACKET, SCREWS ENTER FROM BOTTOM OF BASEPLATE AND THREAD INTO BRACKET. MAKE SURE ROLLER END OF SWITCH IS AGAINST ACTUATOR ASSEMBLY.

STEP 8: FEED WIRES THROUGH EXISTING HOLE IN BASEPLATE ASSEMBLY. THEN ROUTE WIRES BACK THROUGH THE 1/4" DIAMETER HOLE NEAR END OF BASE PLATE AS SHOWN

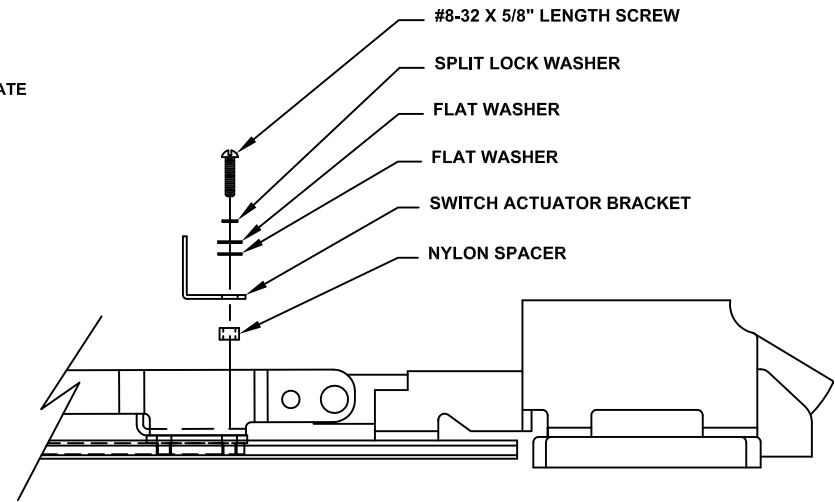
STEP 9: DEPRESS LATCH AND MAKE SURE SWITCH CONTACT IS RELEASED WHEN ACTUATOR MOVES AWAY FROM ROLLER OF SWITCH.

STEP 10: SLIDE PUSHBAR AND BASE PLATE ASSEMBLY INTO ALUMINUM CHANNEL.

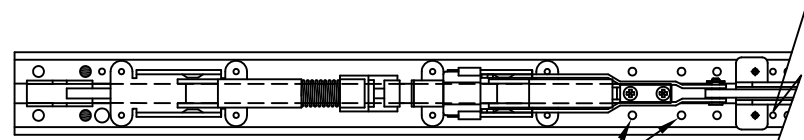
STEP 11: PROCEED WITH FINAL INSTALLATION OF 1550K-VD ELR KIT FOLLOW STEPS 11 THROUGH 19 OF II-E1500-11 1550K-VD ELR KIT INSTALLATION INSTRUCTIONS, THEN PROCEED WITH FINAL STEP OF K-127 SWITCH KIT.

STEP 12: MOUNT DEVICE, TERMINATE WIRES ACCORDINGLY WITH PROPER WIRE NUTS OR CRIMPS.

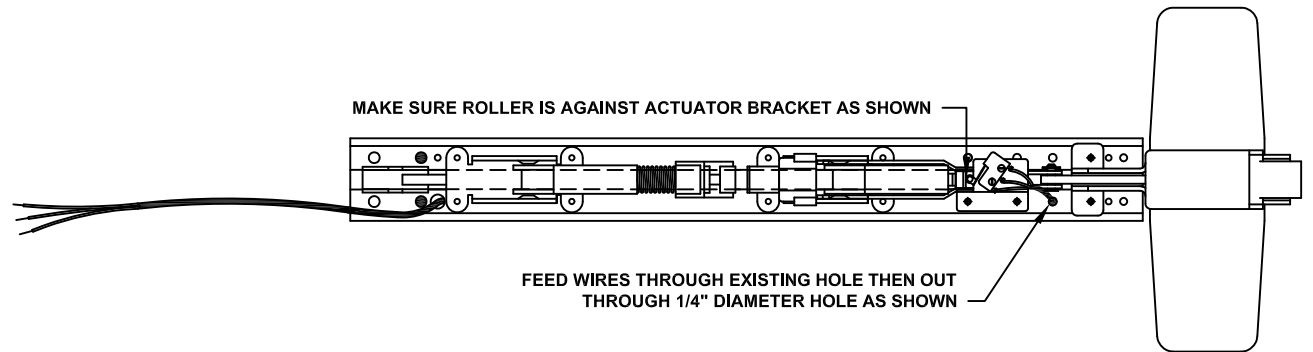
HARDWARE MUST BE INSTALLED IN ORDER AS SHOWN.



SECURE SWITCH ASSEMBLY TO EXISTING HOLES IN DEVICE BASE



MAKE SURE ROLLER IS AGAINST ACTUATOR BRACKET AS SHOWN



FEED WIRES THROUGH EXISTING HOLE THEN OUT THROUGH 1/4" DIAMETER HOLE AS SHOWN

