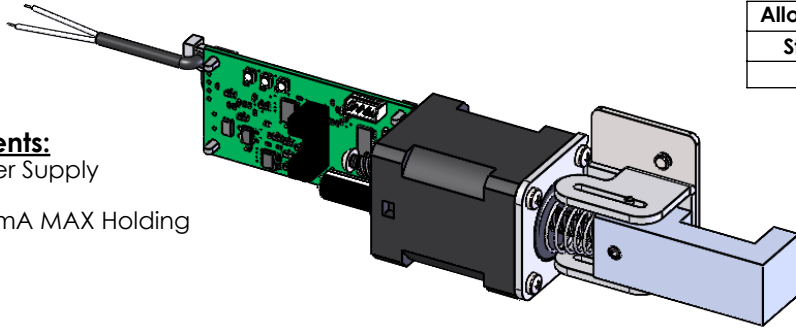




ELECTRIC EXIT DEVICE KIT INSTALLATION INSTRUCTIONS MOTOR DRIVE ELECTRIC LATCH RETRACTION

1550K-MDY YALE 6000 SERIES



Allowable Cutoff From Device Length	
Standard 36"	Standard 48"
1.50"	1.00"

Electrical Input Requirements:

Filtered and Regulated Power Supply
Voltage: 24VDC \pm 10%
Current: 1A MAX Inrush, 400mA MAX Holding
Non-polarized Leads

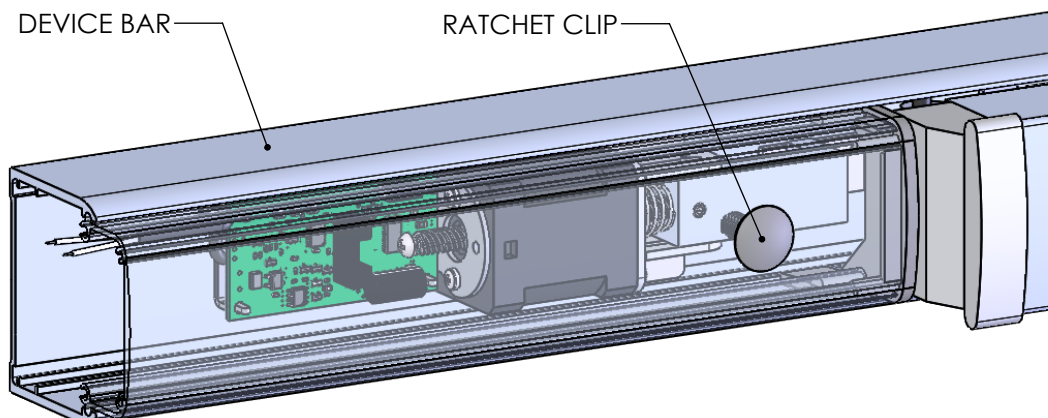
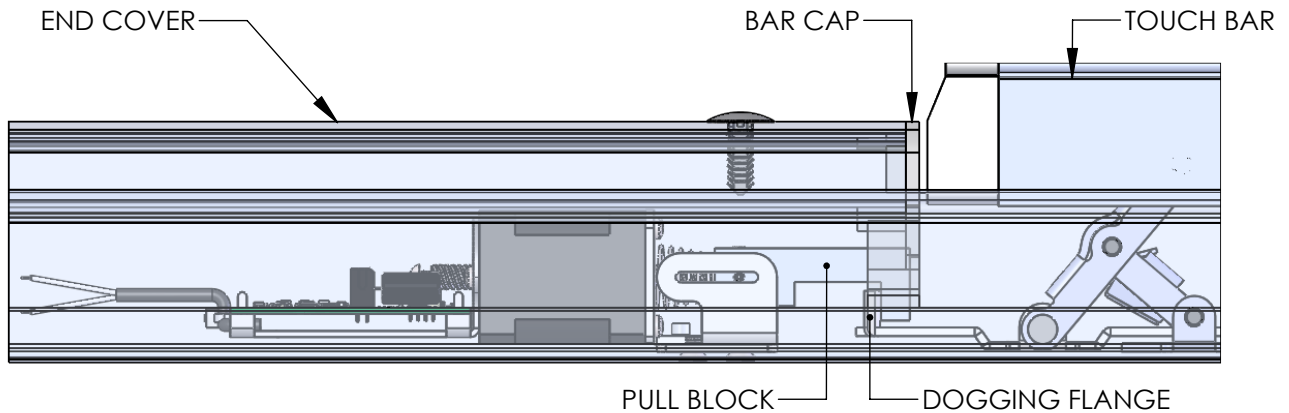
PROVIDES SIMULTANEOUS ELECTRIC LATCH RETRACTION AND DOGGING (TOUCH BAR DEPRESSED)

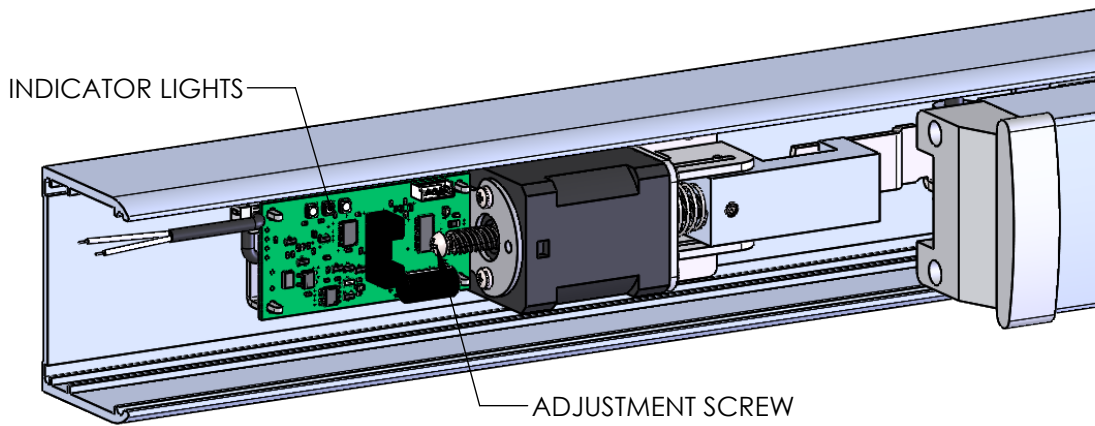
Installation:

1. Separate the end cover from the device bar.
2. Separate the bar cap from the end cover.
3. Remove the manual dogging assembly, if present, from the device bar and discard.
4. Attach the 1550K-MDY Kit to the device bar using the supplied screws through the holes that secured the manual dogging assembly. Verify the pull block is positioned forward of the dogging flange.
5. Locate the bar cap near the touch bar and attach the end cover to the device bar and the bar cap to the end cover for final installed position.
6. Install the ratchet clip into the mechanical dogging hole of the end cover.
7. Apply the supplied technical assistance labels to the latch head cover and the end cap.

Do not remove any regulatory labels adhered to the device.

2-Conductor Wire Run	
Distance	Wire Gauge
70'	22
110'	20
180'	18
280'	16
450'	14
720'	12





Motor Drive Electric Latch Retraction Adjustment:

1. Verify the device is properly adjusted for mechanical operation. Electric operation should not exceed the mechanical operation or there will be a high risk of damage to the device. **We suggest setting the latch retraction under electric operation at 1/16" less than the latch retraction under mechanical operation.**
2. Locate the adjustment screw in the rear of the motor assembly. Rotate the adjustment screw clockwise to increase the latch retraction or counterclockwise to decrease the latch retraction.

Onboard Indicator Light Assignments:

Maintain input power to the device and check the onboard indicator lights.

Remove input power before attempting a solution.

Green (Power)	Yellow (Sensor)	Red (Error)	Indication	Possible Solution
Off	Off	Off	No Power.	Connect the wiring between the power supply and the exit device.
On	On	Off	Normal Operation. The touch bar is retracted to the dogged position and dogged; the latch is retracted by default. The device is allowed 2 attempts.	
On	Off	On	Error in operation. The touch bar did not retract to the dogged position within 2 attempts.	Rotate the adjustment screw counterclockwise to decrease the latch retraction.
On	On	On	Error in operation. Without power being removed, the touch bar went from being dogged to unintentionally being extended, and then the touch bar did not retract to the dogged position within 2 attempts.	Clear the jam condition manually.
On	Blink	On	Error in operation. The touch bar did not extend from the dogged position when the power was last removed. The device will not attempt a retraction.	Clear the jam condition manually.
On	Simultaneous Blink		Error in operation. The input voltage dropped below the specification during operation.	Decrease the wire run or increase the wire gauge.
On	Alternating Blink		Error in operation. An electronics fault was detected.	An electronics replacement is required.