

CORBIN RUSSWIN ML2055 AND ARROW BM17 ELECTRIC LOCK M1510/1520C

FUNCTION CHANGE INSTRUCTIONS

TO CHANGE THE LOCKING FUNCTION FOLLOW THE
THE BELOW INSTRUCTIONS CAREFULLY.

STEP 1: REMOVE THE 3 COVER SCREWS AND COVER

STEP 2: USING THE ILLUSTRATION BELOW, REMOVE PIN AND REPLACE PIN
IN PROPER HOLE AS FOLLOWS

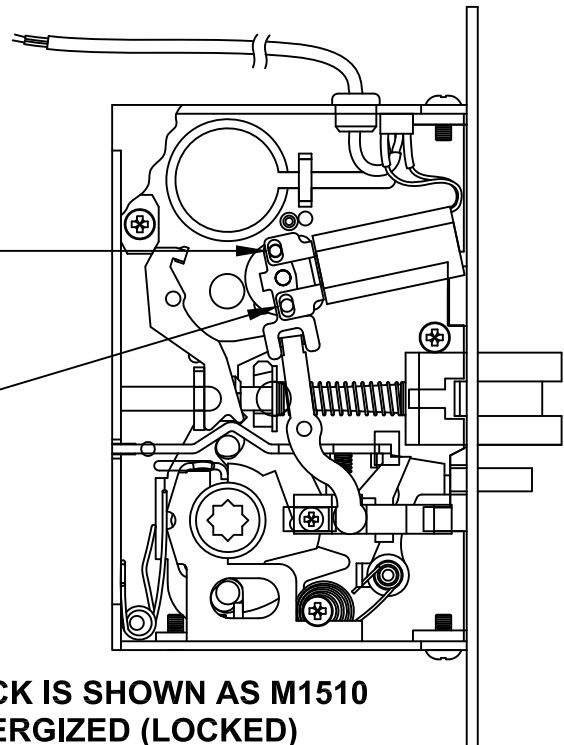
A FOR FAIL SECURE M1520C (POWER UNLOCK) FUNCTION

B FOR FAIL SAFE M1510C (POWER LOCK) FUNCTION

STEP 3: REPLACE COVER AND SCREWS. MAKE SURE SOLENOID IS PROPERLY
POSITIONED IN COVER SLOT.

A INSERT PIN HERE FOR FAIL SECURE
(POWER UNLOCK) OPERATION

B INSERT PIN HERE FOR FAIL SAFE
(POWER LOCK) OPERATION



LOCK IS SHOWN AS M1510
ENERGIZED (LOCKED)

