



ELECTRIC MORTISE LOCK INSTRUCTIONS

MOTOR DRIVE ELECTRIC LATCH RETRACTION

1500MLR - Motor Latch Retraction:

Outside trim (or both outside and inside trim depending on the lock function) is locked. The main latch bolt is retracted when power is applied. The main latch bolt is extended in the event of a power failure.

LMR - Latch Bolt Monitor Retracted (Optional):

A dry contact closure will occur 0.5 seconds after the full retraction of the main latch bolt under power and will remain until power is removed or if the main latch bolt unintentionally extends.

Key Function:

The main latch bolt may be momentarily retracted with a key.

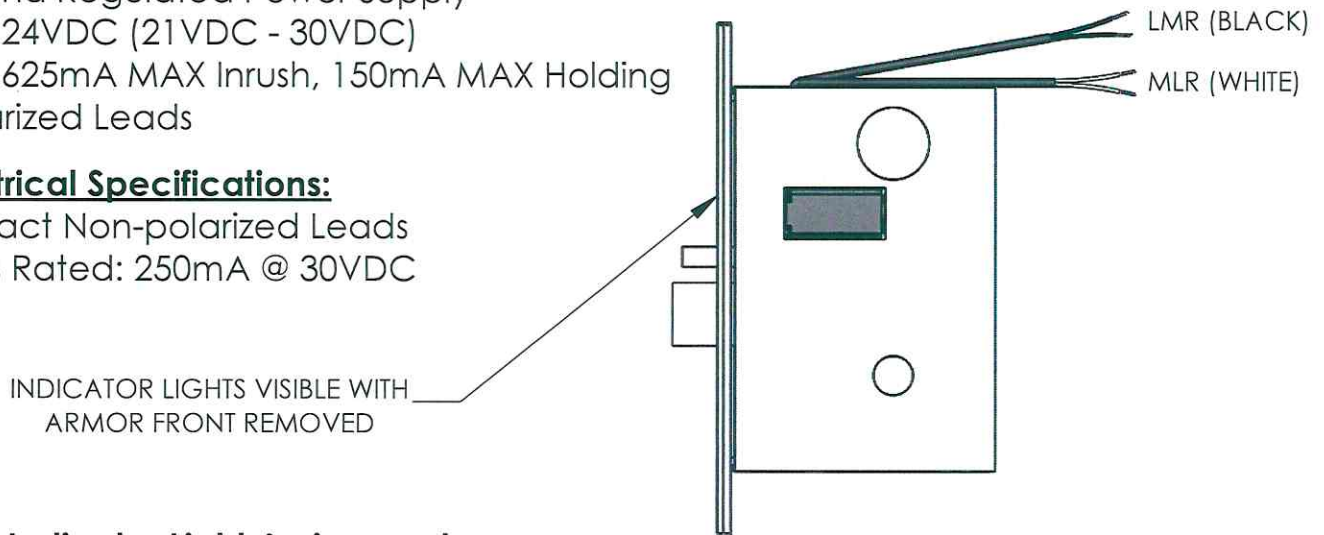
MLR Electrical Specifications:

Filtered and Regulated Power Supply
 Voltage: 24VDC (21VDC - 30VDC)
 Current: 625mA MAX Inrush, 150mA MAX Holding
 Non-polarized Leads

LMR Electrical Specifications:

Dry Contact Non-polarized Leads
 Contacts Rated: 250mA @ 30VDC

2-Conductor Wire Run	
Distance	Wire Gauge
125'	22
200'	20
350'	18
500'	16
800'	14
1250'	12



Onboard Indicator Light Assignments:

Maintain input power to the mortise lock and check the onboard indicator lights.

Remove input power before attempting a solution.

Green (Power)	Yellow (Sensor)	Red (Error)	Indication	Possible Solution
Off	Off	Off	No power.	Connect the wiring between the power supply and the mortise lock.
On	On	Off	Normal operation. The main latch bolt is retracted to the preset retracted position. The device is allowed 2 attempts.	
On	Off	On	Error in operation. The main latch bolt did not retract to the preset retracted position within 2 attempts.	Clear the jam condition manually.
On	On	On	Error in operation. Without power being removed, the main latch bolt unintentionally extended from the preset retracted position, and then the main latch bolt did not retract back to the preset retracted position within 2 attempts.	Clear the jam condition manually.
On	Blink	On	Error in operation. The main latch bolt did not extend from the preset retracted position when the power was last removed. The device will not attempt a retraction.	Clear the jam condition manually.
On	Simultaneous Blink		Error in operation. The input voltage dropped below the specification during operation.	Decrease the wire run or increase the wire gauge.
On	Alternating Blink		Error in operation. An electronics fault was detected.	An electronics replacement is required.