

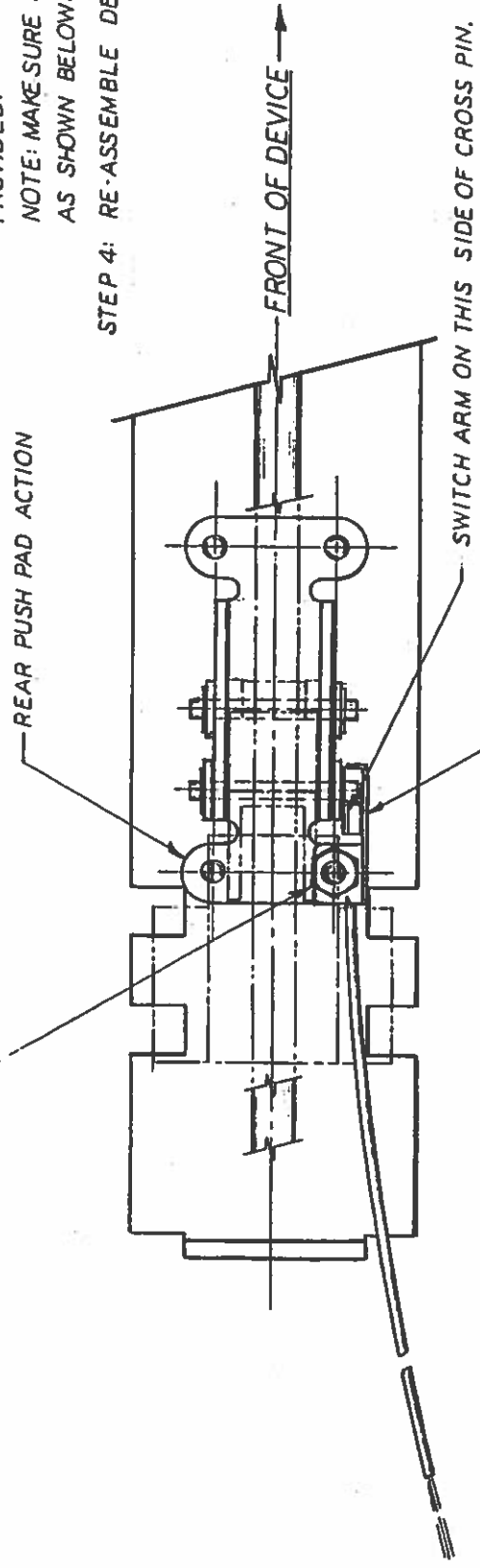
**SWITCH KIT - K-112**

- STEP 1: SEPARATE ACTIVE PUSH PAD ASSEMBLY FROM CHANNEL.
- STEP 2: REMOVE PUSH PAD FROM ASSEMBLY BY REMOVING EIGHT SCREWS.
- STEP 3: MOUNT SWITCH ASSEMBLY ON SCREW AS SHOWN AND FASTEN WITH NUT PROVIDED.

NOTE: MAKE SURE SWITCH ARM IS POSITIVE AS SHOWN BELOW.

STEP 4: RE-ASSEMBLE DEVICE

MOUNTING NUT PROVIDED # 10-32 JAM NUT  
 PART NO. 89-01-10



ELECTRICAL SPECIFICATION

- SWITCH RATING: 4AMP, 250 V.A.C.
- RED WIRE (NORMALLY OPEN)
- GRAY WIRE (NORMALLY CLOSED)
- YELLOW WIRE (COMMON)

<b>ARCHITECTURAL</b> <b>PRODUCT SYSTEMS</b> <b>INCORPORATED</b> ST. LOUIS, MISSOURI		TOLERANCES UNLESS NOTED FRACTIONS - 1/32 DECIMALS - .005 ANGULARS - 1/16		NOT UNLESS REAS PUNCH		DATE SCALE SHEET 1 OF 1	DESIGNED BY DRAWN BY CHECKED BY DATE	DATE 10/19/99 DATE 10/19/99
DESCRIPTION K-112 SWITCH KIT: DOROMATIC 1490, 1590		ORDERING NO. I.D. 1075		MATERIAL		DRAWN BY P/M/J APPROVED BY M/D		DATE 10/19/99 DATE 10/19/99

DO NOT SCALE THIS DRAW.